



HT-500 Grill

Instruction Manual



INSTRUCTION MANUAL

Model No.: HT-500
Flame King Gas Grill

This instruction manual contains important information necessary, for the proper assembly and safe use of the appliance. Read and follow all warnings and instructions before assembling and using the appliance.

Follow all warning and instructions when using the appliance.
Keep this manual for future reference.

DANGER

If you smell gas:

- 1) Shut off gas to the appliance.
- 2) Extinguish any open flame.
- 3) Open lid.
- 4) If odor continues, immediately call your gas supplier or your fire department.

Failure to follow these instructions could result in fire or explosion which could cause property damage, personal injury or death.

DANGER

1. Never operate this appliance unattended.
2. Never operate this appliance within 25ft (7.5m) of any flammable liquid.
3. If a fire should occur, keep away from the appliance and immediately call your fire department. Do not attempt to extinguish oil or grease fire with water.

Failure to follow these instructions could result in fire or explosion which could cause property damage, personal injury or death.


CAUTIONS


- This grill is designed for OUTDOOR USE ONLY and shall not to use in a building, garage or any other enclosed area!
- This appliance is not intended to be installed in or on boats.
- Minimum clearance from grill to any combustible material must be 8" on the rear and 12" on either side of grill and this grill shall not be located use under overhead unprotected combustible construct.
- Before each use, your grill, hoses, fitting and burner should be visually inspected for any wear and or damage.
- If there is evidence of abrasion, wear, cuts or leaks, the hose must be replaced prior to the appliance being put into operation, the replacement hose assembly shall be that specified by the manufacturer.

- This appliance is not intended for commercial use.
- The use of alcohol, prescription or non-prescription drugs may impair the consumer's ability to properly/ safety operates the appliance.
- In the event of a grease fire do not attempt to extinguish with water. Immediately call the fire department. A type BC or ABC fire extinguisher may, in some circumstances, contain the fire.
- Keep the fuel supply hose away from any heated surfaces.
- Do not leave the appliance unattended. Keep children and pets away from the appliance at all times.
- Do not move the appliance while use.
- This appliance is not intended for and should never be used as a heater.
- ! DANGER- Do not uses this appliance under extended awnings. Failure to comply could result in a fire or personal injury.
- ! DANGER- Do not put grill in storage or travel mode immediately after use. Allow to cool to touch before moving or storing. Failure to do so could result in fire, resulting in property damage, personal injury or death.

Installation

- Installation of this grill must conform with local cords or in the absence of local codes with the National Fuel Gas Code, ANSI Z223.1/NFPA 54, Storage and Handling of Liquefied Petroleum Gases, ANSI/NFPA 58. Installation of this grill must also conform to ANSI A119.2/NFPA 1192 Standards for Recreational Vehicles. ANSI A119 Standards must also be followed concerning clearances from appliances to any doors, windows and combustion air intakes. CSA Z 240 RV series.
- This appliance shall be installed on the opposite side, from a fuel distribution/dispensing system of a RV.
- The installation of the appliance must preclude the possibility of operation or gas flow when in storage (travel) position.
- This appliance shall be connected to the vehicles propane system with a flexible hose connector complying with the high pressure requirements of the Standard for Pigtails and Hose Connections for LP-Gas, ANSI/UL 569, and shall be of length no longer than that required to allow the grill to be mounted in the "in use" position of its mounting system.
- The hose shall be installed in a manner that will not allow it to come in contact with the hot surface of the grill while in use or in the storage/travel model.

 **WARNING** - Do not use this appliance under extended awnings. Failure to comply could result in a fire or personal injury.

 **DANGER** - Do not put grill in storage or travel mode immediately after use. Allow grill to cool to touch before moving or storing. Failure to do so could result in fire resulting in property damage, personal injury or death.

Installer- All instructions for appliance are to be left with the consumer for future reference.

How to setting up your grill on RV

Step 1, open box, then open grill cover, take out grill.



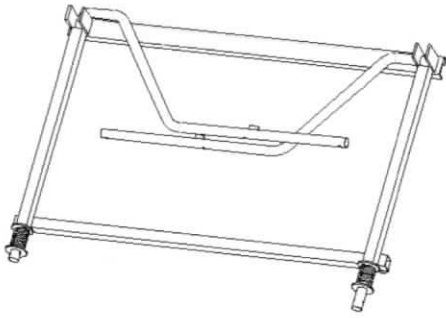
Step 2, fix grill bottom right and left handle.



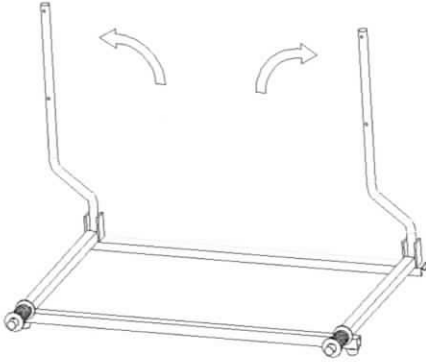
Step 3, fix grill cover handle



Step 4, put rack inside of grill



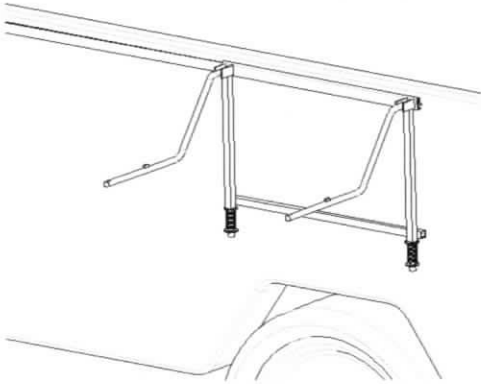
Step 5, Remove your grill from all interior and exterior packaging, hold bracket. See figure 5



(figure 6)

Step 6, Unfold each arm one at a time, arms will drop into slots.

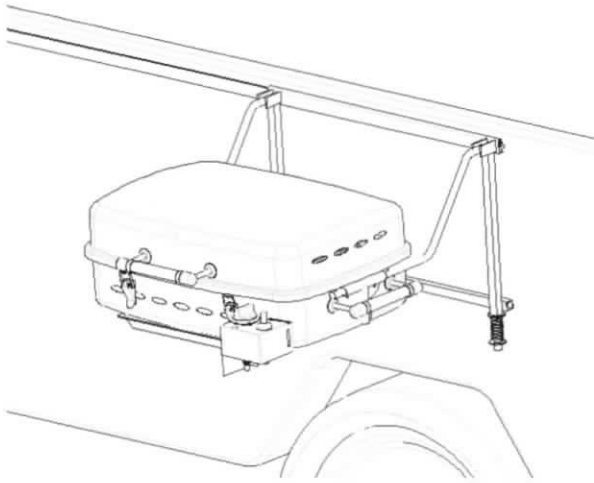
To refold, step on bottom rail to push arms above slot, and then fold back into position. See figure 6



(figure 7)

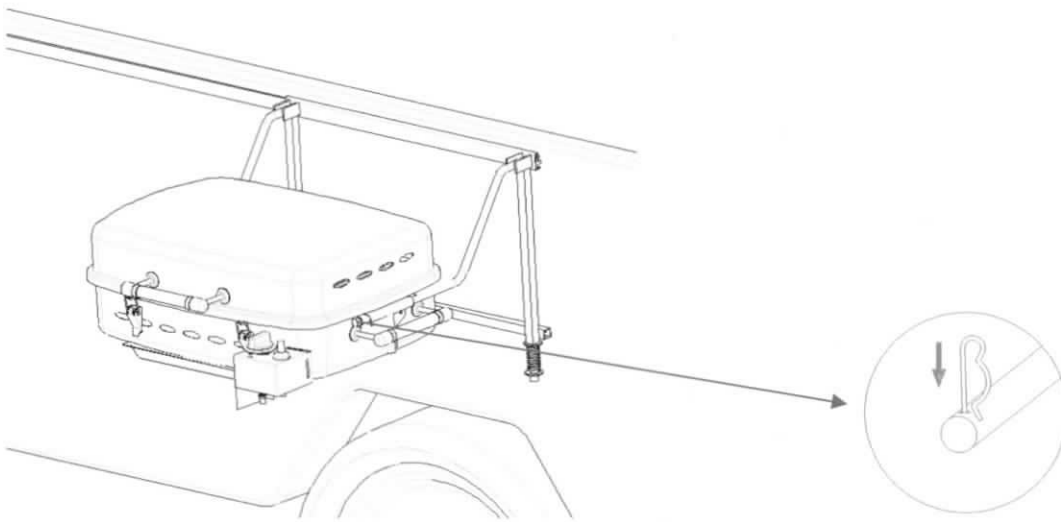
Step 7, Hang bracket on white aluminum mounting strip located on side of RV, open two folding arms on bracket, and make sure they lock in position.. See figure 7

Notice: The height between grill bottom and group must over 16 inch



(figure8)

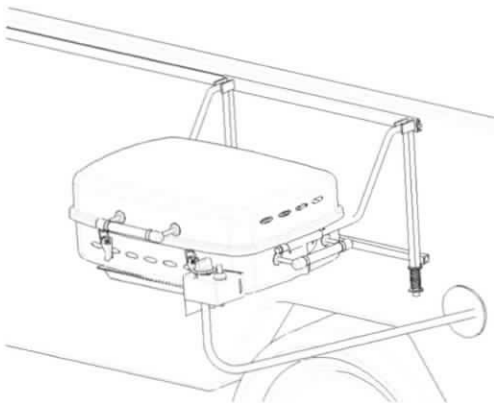
Step 8, Slide grill onto 2 arms, make sure grill is fully on arms, against stops. See figure 8



(figure 9)

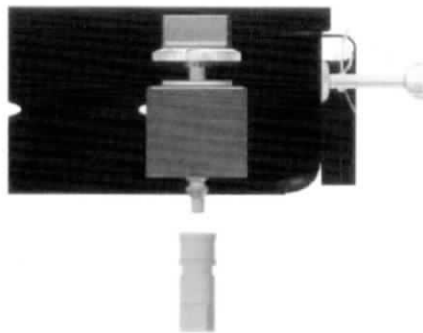
Step 9, Insert retaining pins into arms.

To remove grill, remove retaining pins from arms and slide grill off of bracket arms. See figure 9



To attach quick coupler:

- Slide retaining sleeve back
- Push female coupler onto male coupler
- Release retaining sleeve.



Brackets

(figure 10)

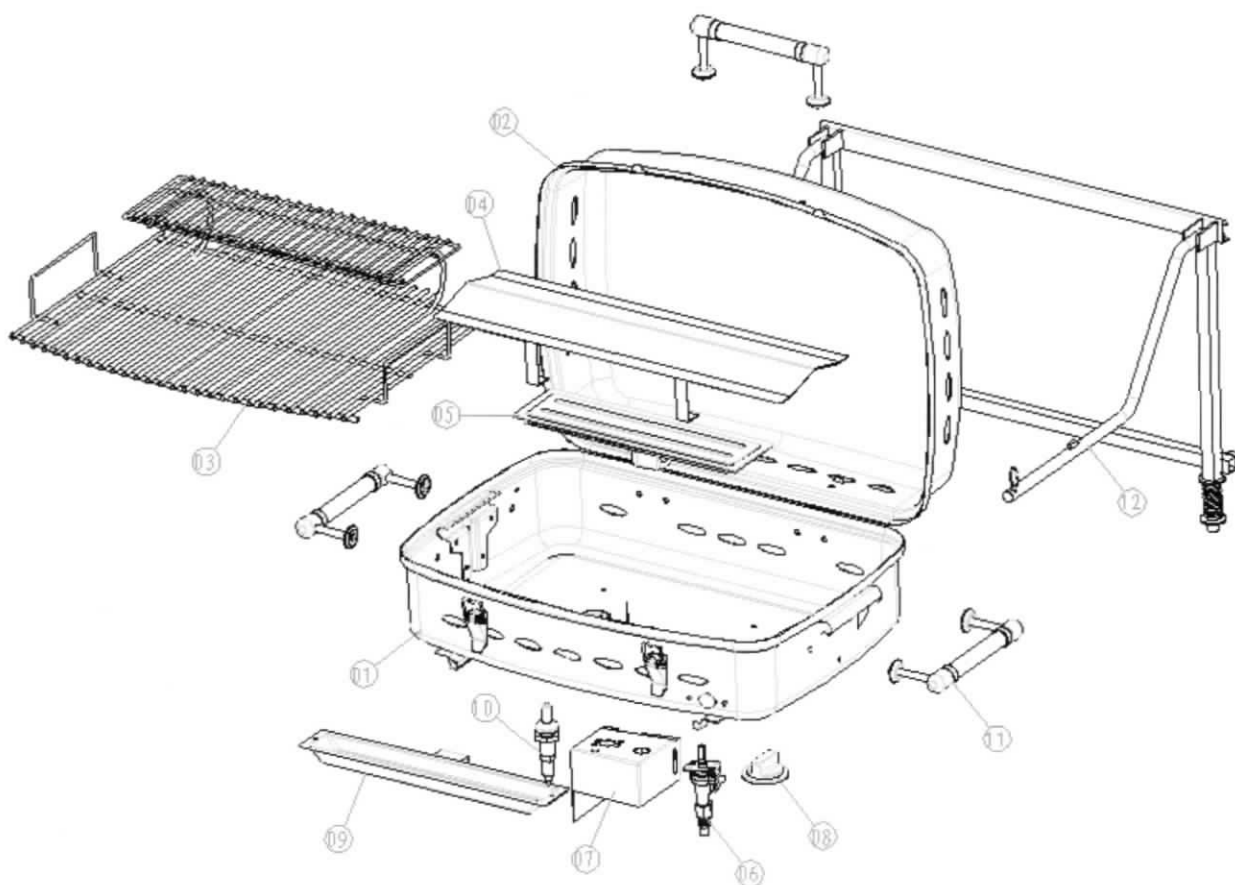
Step 10, Connect gas pipe with grill well. See figure 10

For your reference, valve model and description:

Seven Universe Industrail Co.Ltd.

QDD quick fitting Certificate No.: 1586731 Model: SUKJC(01) (E)

HT-500 Grill Exploded Diagram



NO.	PART NAME	NO	PART NAME	NO	PART NAME
01	Oven lower cover	06	valve	11	hand shank
02	Oven cover	07	alve fixed box	12	The bottom bracket
03	Roast rack	08	knob		
04	Barbecue plate	09	Joint oil pan		
05	Fire exhaust	10	Ignition needle		

Leak Test:

⚠️ WARNING :Please tes your grill before use,to ensure no any gas leakage.

- To check for gas leaks on hose or grill, use a solution of 1 part liquid dish detergent to 10 parts water. Agitate solution until bubblers from, then apply to all fittings and inlet to grill control valve. If a leak is detected and you are unable to correct; return unit to the dealer for repair.
1. Turn gas control knob to OFF position;
 2. Brush soapy solution onto connection area;
 3. If bubbles appear,there`s a leak,disconnect the connector and connect again,make sure the male and female off QDD are mated well;
 4. If leaks can not stopped do not try to repair,call for replacement parts.

The appliance and its individual shutoff valve must be disconnected from the gas supply piping system during any pressure testing of that system at test pressures in excess of 1/2 psi(3.5kPa).

Lighting Your Grill

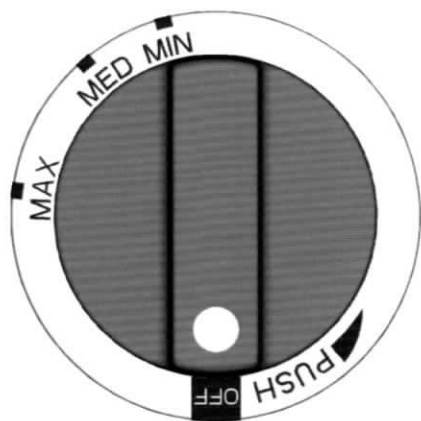
Match lighting

1. Check to make sure the control knob is in the OFF position.
2. Open-lid during lighting
3. Push control knob down and rotate counterclockwise to HIGH
4. Using a grill lighter or match, light the burner through the lighting hole located on the bottom of the grill.
5. If ignition does not occur in 5 seconds, turn the burner control off. Wait 5 minutes, and repeat the lighting procedure.

Ignitor lighting(For grill with ignitor)

Note: Read all instructions before using

1. Check to make sure the control knob is in the OFF position.
2. Open-lid during lighting
3. Push control knob down and rotate counterclockwise to HIGH
4. Push the ignitor button quickly for several times until the burner light.
5. If ignition does not occur in 5 seconds, turn the burner control off. Wait 5 minutes, and repeat the lighting procedure.



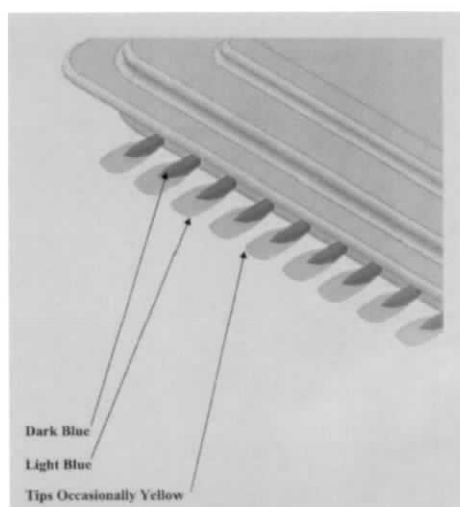
6. Once burner is lit, adjust control valve to desired cooking temperature.

WARNING:

Always open lid before turning on gas and lighting burner, failure to open the hood before lighting could cause an explosion causing property damage, injury, or even death.

Burner Flame Pattern

- The grill burner has been factory set for the correct air and gas mixture. The correct flame pattern is shown below:



Maintenance

- Keep appliance area clear and free of any combustible materials, gasoline and other flammable vapors and liquids.
- Not obstructing the flow of combustion and ventilation air.
- Visually check burner flames.
- Grill should be cool to the touch before cleaning and storing.
- After each use of the grill, the appliance must be cleaned.
- To reduce the risk of grease fire, always clean the drip tray and remove any grease from the inside of the grill using warm soapy water. The outside of the appliances can also be wiped down with warm soapy water.
- Use a brass bristled barbecue brush to scrub the stainless steel cooking grates, not a steel bristled wire brush.

- DO NOT use any cleaning solvents or abrasives to clean the grill.

Before each use always check/clean burner/venture tubes for insects and insect nests. A clogged tube can lead to fire beneath the appliances.

Replacement Parts

DO NOT RETURN to RETAIL if Merchandise is Broken or Parts are Missing.

Please call:

(574)293-1800

**Customer Service Department
For Replacement**

Thank you!

Flame King

4500 Pine Creek Rd.- Elkhart, IN 46516